



MAXIMO® EVOLUTION DYNAMIC

Premium Seat with
Dynamic Damping System®



TECHNICAL DATA

MAXIMO® EVOLUTION DYNAMIC

The Dynamic Damping System raises the bar for comfortable sitting in passive-suspension seats for midsized and large tractors. An active seat climate system with removal of body moisture additionally enhances comfort by making sure that the operator never again has to sit in a pool of sweat.



Pneumatic Suspension



Dynamic Damping System



Pneumatic Lumbar Support



Swivel



Automatic Shock Absorber



Automatic Positioning System



Electronic Weight Adjustment



Lateral Suspension



Fore/Aft Isolator



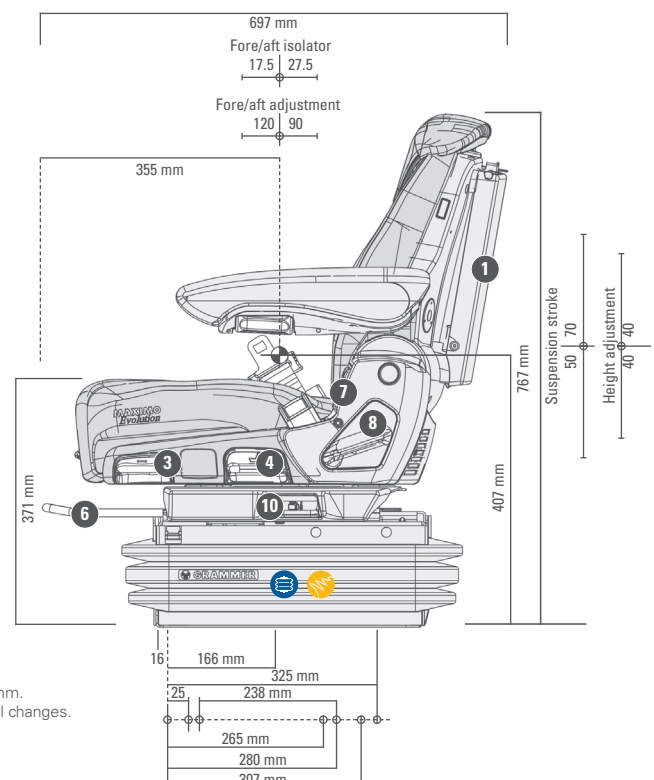
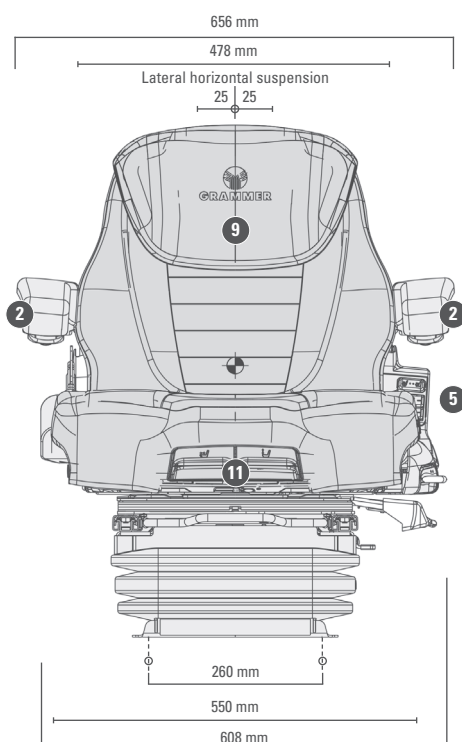
Active Climate System

Features ● Standard ○ Optional

	Maximo® Evolution Dynamic
Article no. fabric	1288764
Article no. fabric, operator presence switch (OPS) for Fendt	1288768
Article no. fabric, operator presence switch (OPS) for Same	1288766
① Document box	●
APS (Automatic positioning system)	●
② Armrests, height-adjustable and foldable 80 x 380 mm, adjustable angle, with fabric cover	●
Shock absorber Automatic	●
③ Swivel Adjustment range 20°	●
Suspension	
● Pneumatic suspension with 12 V compressor	●
● Dynamic Damping System®	●
Suspension stroke, 120 mm	●

	Maximo® Evolution Dynamic
Weight adjustment Active (electronic)	●
④ Height adjustment 80 mm infinite (air-assisted)	●
⑤ Climate system Active	●
⑥ Fore/aft adjustment 210 mm	●
Fore/aft isolator	●
⑦ Lumbar support, pneumatic	●
⑧ Adjustable backrest angle	●
⑨ Backrest extension, integrated	●
⑩ Lateral suspension	●
⑤ Seat heating	●
⑪ Adjustable seat cushion depth and angle	●
Operator presence switch (OPS)	●
Seat cushion width	550 mm
OPTIONAL FEATURES	
Restraint system	○

Measurements (installation dimensions)



All dimensions in mm.
Subject to technical changes.