



MSG 20 NARROW

Compact seats with
mechanical suspension



GRAMMER

TECHNICAL DATA

MSG 20 NARROW

All MSG 20 seats are optimally designed to attenuate the vibrations to which forklift operators are typically subjected, featuring suspension travel of 60 mm. They are also simple to set to any user weight between 50 and 130 kg with an easy-to-use lever on the backrest, resulting in optimal suspension comfort for every operator. In addition, the seat's fore-aft position can be varied by up to 150 mm to provide enough space for every body size and work situation. The narrow version with a cushion width of 410 mm is specially optimized for reach-type forklift trucks.



Mechanical
Suspension



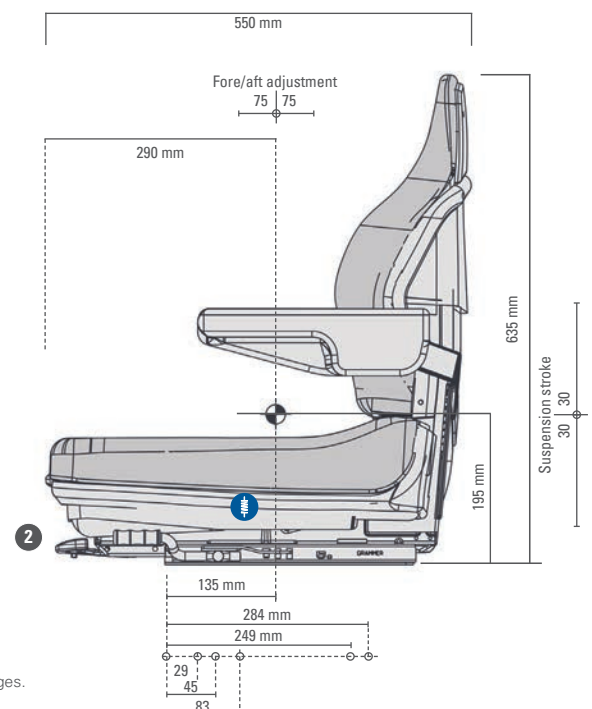
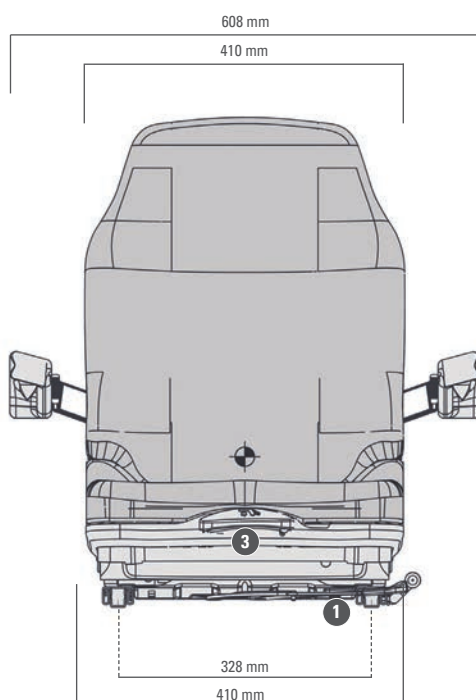
Mechanical
Weight
Adjustment

Features ● Standard ○ Optional

	MSG 20 SCHMAL	MSG 20 SCHMAL
Article no. fabric	1293151	1293152
Article no. imitation leather	135671	135673
Suspension		
● Mechanical suspension	●	●
Suspension stroke		
60 mm	●	●
① Weight adjustment		
50 - 130 kg	●	●
② Fore/aft adjustment		
150 mm	●	●

	MSG 20 SCHMAL	MSG 20 SCHMAL
③ Adjustable backrest angle	●	●
Seat cushion width	410 mm	410 mm
Operator presence switch (OPS)		●
OPTIONAL FEATURES		
Armrests foldable 54 mm x 300 mm	○	○
Document box	○	○
Restraint system		
Static belt	○	○
Retractor belt	○	○
Seat heating	○	○

Measurements (installation dimensions)



All dimensions in mm.
Subject to technical changes.