



ACTIMO® EVOLUTION

High-End Premium Seat with
Electronical Weight Adjustment



GRAMMER

TECHNICAL DATA

ACTIMO® EVOLUTION

The Actimo Evolution construction machine seat boasts a deluxe package of comfort-enhancing features. Thanks to electronic weight adjustment, the seat fully automatically sets itself to the operator's weight so the seat can unfold its full potential by optimally utilizing the available suspension travel – thus delivering even greater ergonomics and safety. Active seat climate control removes body moisture so the user will never again have to sit at the wheel in a pool of sweat. On cold days, the integrated seat heating ensures a pleasant temperature.

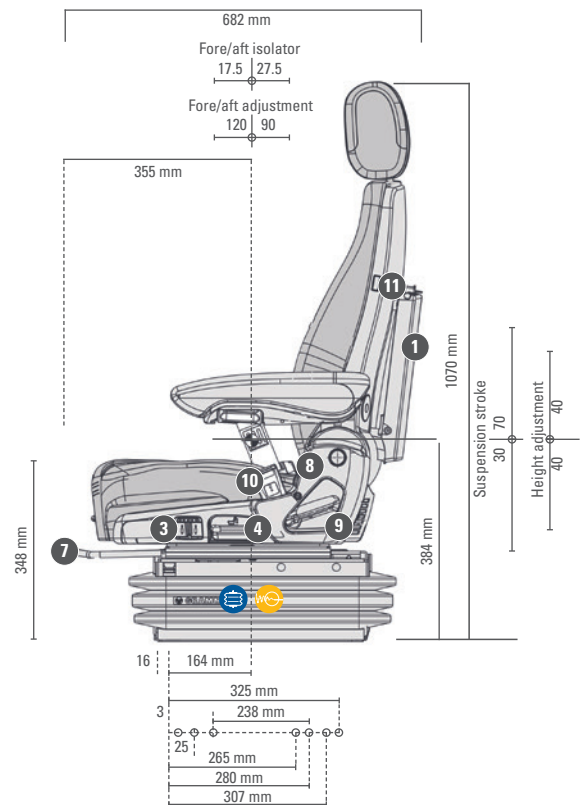
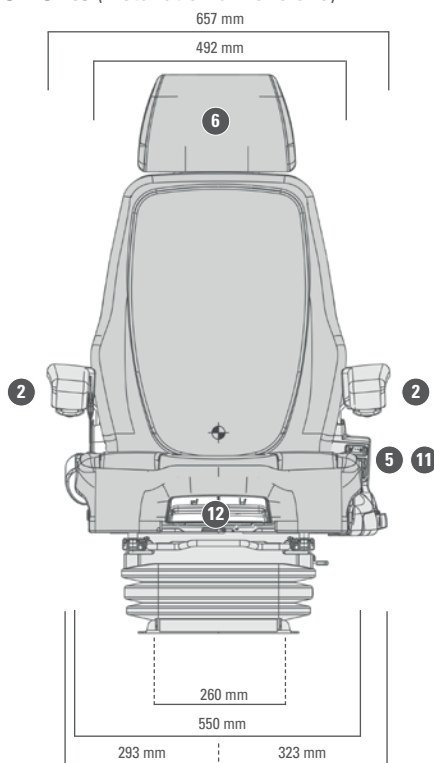
Features ● Standard ○ Optional



	ACTIMO® EVOLUTION
Article no. fabric	
Compressor 12 V	1294584
Compressor 24 V	1294588
① Document box	●
APS (Automatic positioning system)	●
Armrests, height-adjustable and foldable	
② 80 x 380 mm, adjustable angle, with fabric cover	●
③ Shock absorber adjustable	●
Suspension	
Pneumatic suspension with compressor	●
Low-frequency suspension	●
Suspension stroke 100 mm	●
Weight adjustment 50 - 130 kg, electronic	●

	ACTIMO® EVOLUTION
Height adjustment	
④ 80 mm infinite (air-assisted)	●
⑤ Climate system active	●
⑥ Headrest	●
⑦ Fore/aft adjustment 210 mm	●
Fore/aft isolator	●
⑧ Lumbar support, pneumatic	●
⑨ Adjustable backrest angle	●
⑩ Restraint system	●
Seat cushion width	550 mm
⑪ Seat heating	●
⑫ Adjustable seat cushion depth and angle	●
Operator presence switch (OPS)	●

Measurements (installation dimensions)



All dimensions in mm.
Subject to technical changes.