



PRIMO[®] XL

Comfort Seat with Low-Frequency
Pneumatic Suspension



GRAMMER

TECHNICAL DATA

PRIMO[®] XL

Operable on a 12 V or 24 V power source, this seat's low-frequency suspension ensures good comfort. It can be easily set to the driver's weight (between 45 and 170 kg) simply by pressing a button. The upper seat section, retention system, and lumbar support can also be set to optimally meet the user's needs.



Pneumatic suspension



Low-Frequency Suspension



Mechanical Lumbar Support



Manual Weight Adjustment

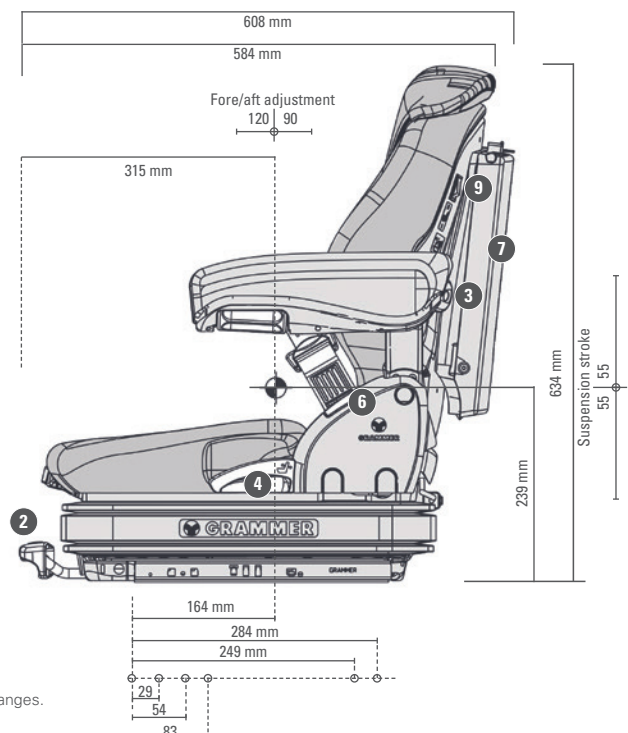
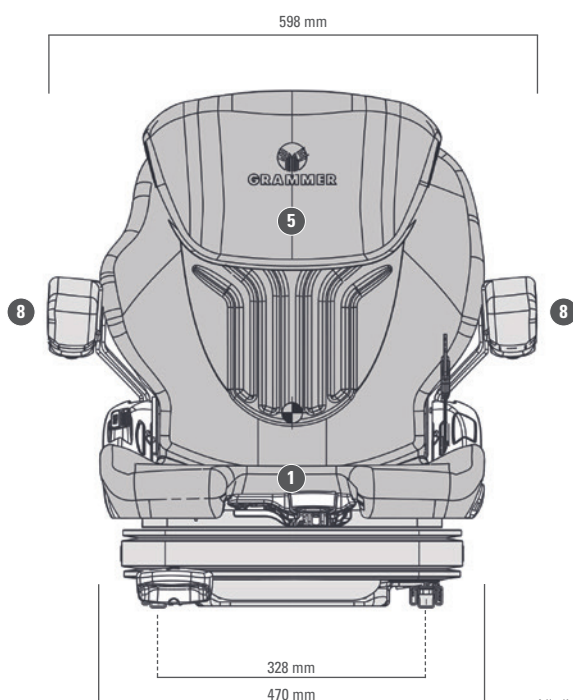
Features ● Standard ○ Optional

	PRIMO [®] XL
Article no. imitation leather	
Compressor 12V	1293489
Compressor 24V	1293478
Shock absorber nonadjustable	●
Suspension	
Pneumatic suspension with compressor	●
Low-frequency suspension	●
Suspension stroke 110 mm	●
① Weight adjustment 45 - 170 kg, pneumatic	●
② Fore/aft adjustment 210 mm	●
③ Lumbar support mechanical	●

	PRIMO [®] XL
④ Adjustable backrest angle	●
⑤ Backrest extension	●
⑥ Restraint system	●
Seat cushion width	470 mm
Operator presence switch (OPS)	●
OPTIONAL FEATURES	
⑦ Document box	○
⑧ Armrests height-adjustable	○
Fore/After isolator*	○
⑨ Seat heating	○

* Force/after isolator not for earth-moving machinery

Measurements (installation dimensions)



All dimensions in mm.
Subject to technical changes.